



FLIR TCX™

Thermal Bullet Camera

The TCX Bullet is the new industry leader of affordable, high-performance thermal security cameras. Whether you choose 480 or 320 resolution, the TCX Bullet will deliver 24/7 high-contrast thermal video and high-performance built-in video motion detection (VMD) with a level of affordability that the industry has never seen. Delivering extremely accurate intrusion detection and visual alarm verification in one affordable device, the TCX Bullet is a flexible thermal solution with multiple benefits. FLIR thermal cameras give you the advantage to see clearly in complete darkness without any illumination, in bright sunlight, through smoke, dust or even light fog.



The most accurate intrusion detection and video alarm verification system available.

ELIMINATE FALSE ALARMS

More reliable than traditional sensors and visible cameras, high-contrast thermal imaging delivers visual verification and a dramatic reduction in false alarms.

- Less noise and clutter, coupled with our high-performance VMD provides superior intrusion detection.
- Outperforms PIR, microwave, shakers, and other traditional intrusion detection sensors by providing visual verification.
- No illumination required; outperforms comparably priced visual cameras at night, in low-contrast areas, in challenging lighting conditions, or inclement weather.

MAXIMIZE VALUE AND RETURN ON INVESTMENT

The TCX Bullet provides affordable, standard and high resolution options, and two lens options.

- Choose from 480x360, 320x240, 16:9 or 4:3 aspect ratios
- Human VMD Detection Range: 90° ~ 30m; 50° ~ 45m
- Human Observation Detection Range: 90° ~ up to 150m/490ft; , 50° ~ up to 200m/650ft (good conditions)
- WDR Thermal with DDE & AGC for clear video and video alarm verification 24/7

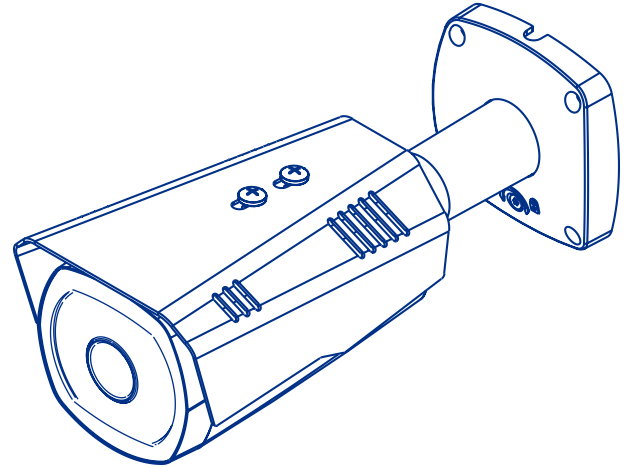
EASY INTEGRATION IN ALL ENVIRONMENTS

With the flexibility to install into any new or existing system, TCX products easily integrate anywhere you need them.

- Compatible with ONVIF Profile S IP, MPX (HDCVI), and analog recorders and VMS systems
- PoE, 24 VAC, Indoor/outdoor IP66, temp range -40°C – 55°C (Anti-Ice)
- Plug and play with FLIR mobile & PC apps, and FLIR network and MPX

Specifications

Camera Model	TCX Thermal Bullet
	Fixed IP/MPX/analog Thermal Camera
Image Sensor	Uncooled sun-safe VOx microbolometer
Resolution	90°: 480x360 (4:3) or 480x270(16:9) 50°: 336x240(4:3) or 336x189(16:9)
Thermal FOV	50° or 90°
Video Outputs	IP, MPX & analog video outputs
IP Video	Triple stream, H.264 and MJPEG
ONVIF Conformance	Profile S
Operating Temp Range	-40°C to 55°C
Power Inputs	PoE Class3 24 VAC
High Performance Surge Protection	Yes
Anti-Ice/De-Ice	Anti-ice
Wide Dynamic Range Thermal	Yes
Environmental	IP66
Compliance	FCC, CE, UL
Key Features	<ul style="list-style-type: none"> • Tri-Mode - each camera provides IP, MPX and analog video outputs • WDR Thermal with DDE & AGC Region of Interest • Ideal for use with 3rd-party video analytics.



Equipment described herein may require US Government authorization for export purposes. Diversion contrary to US law is prohibited. Imagery for illustration purposes only. Specifications are subject to change without notice. ©2016 FLIR Systems, Inc. All rights reserved. (Updated 01/15)

DRX GROUP
INTELIGENTNE SYSTEMY ZABEZPIECZEŃ

DRX Group Office
ul Jałowcowa 17, 05-410 Józefów
T: +48 784 000 339
E: biuro@drxgroup.pl
W: www.drxgroup.pl